



# Ground-Detecting Module Product Specifications

SPEC. NO. : SZ22101201  
DATE : 2022/11/7  
REV. : A/1

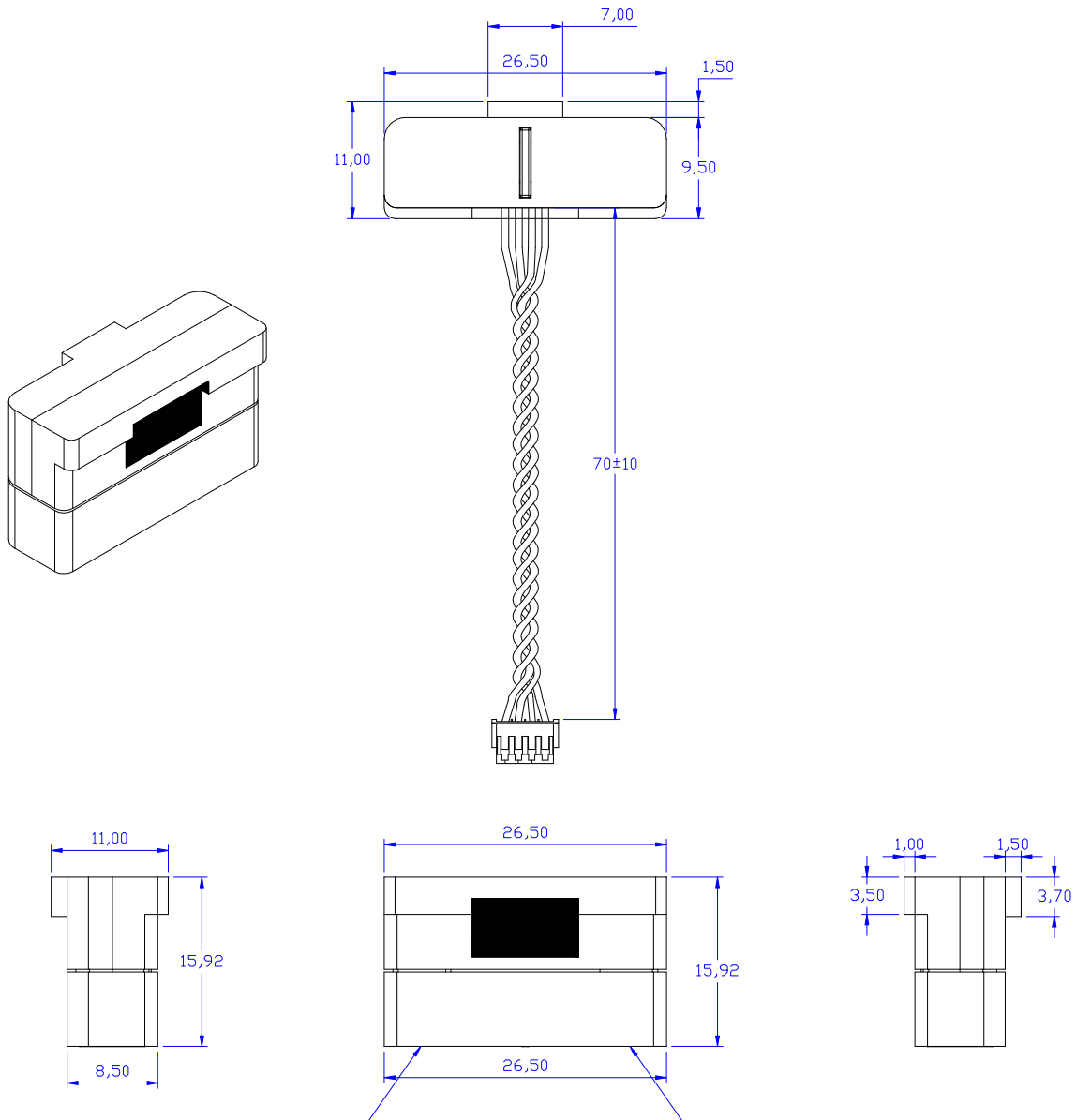
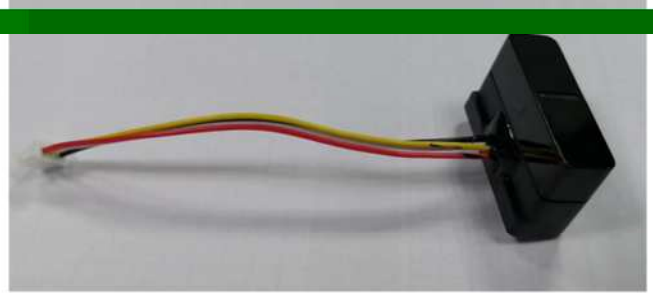
Approved By:

Checked By:

Prepared By:

--	--	--	--

### Dimensions of Module



#### Notes:

1. All dimensions are in millimeters.
2. Tolerance is  $\pm 0.50$ mm unless otherwise noted.
4. Specifications are subject to change without notice.

LIGHT ELECTRONICS CO., LTD.





