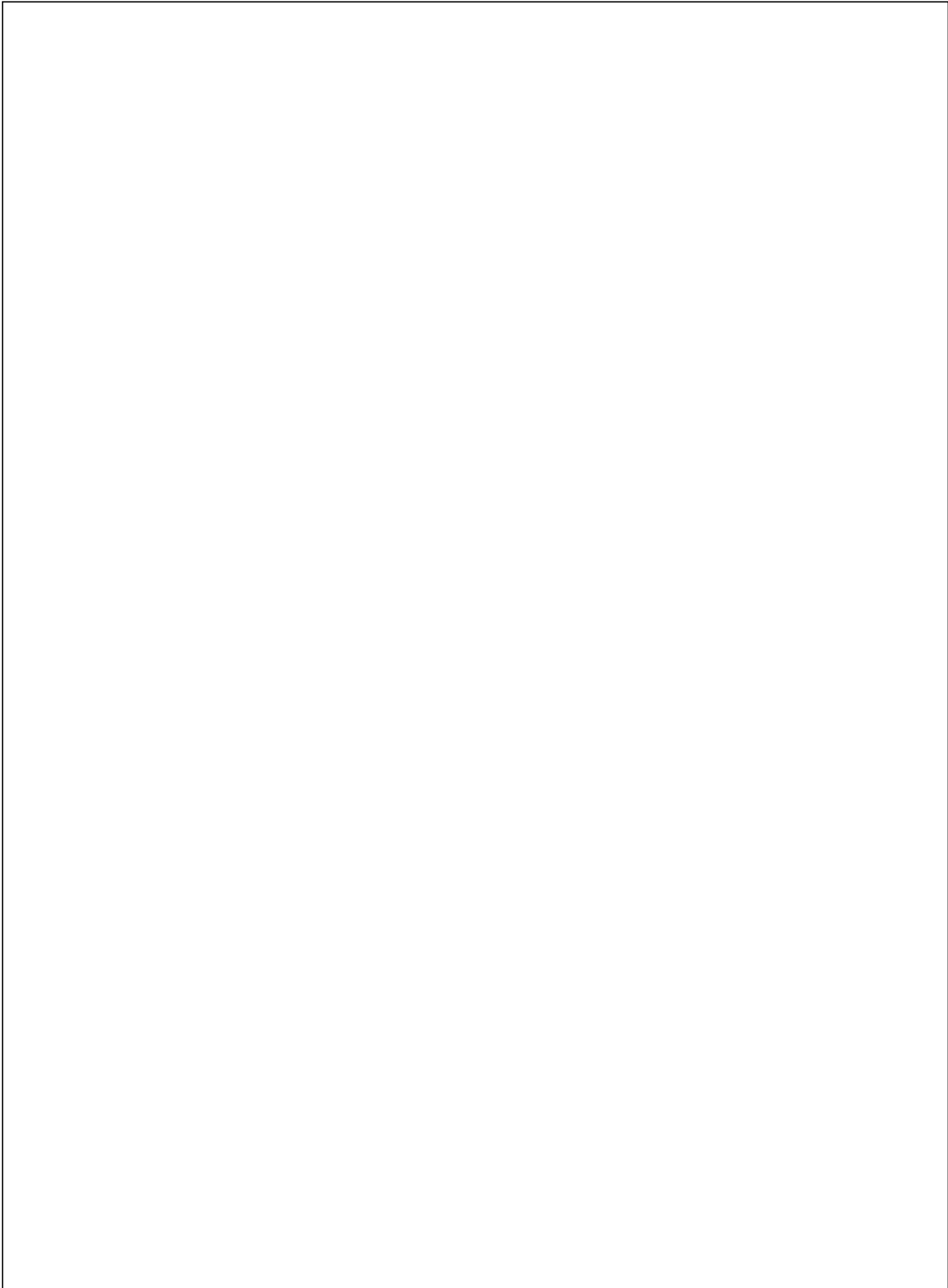


L



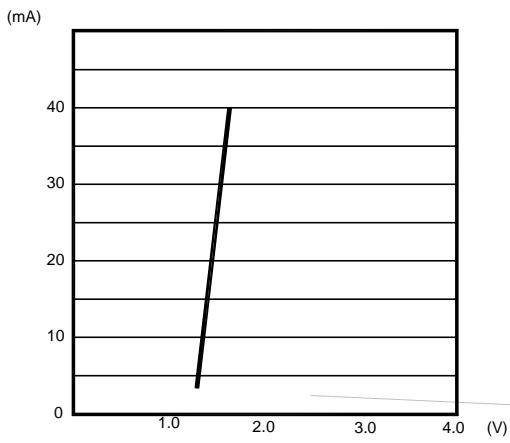


LIGHT

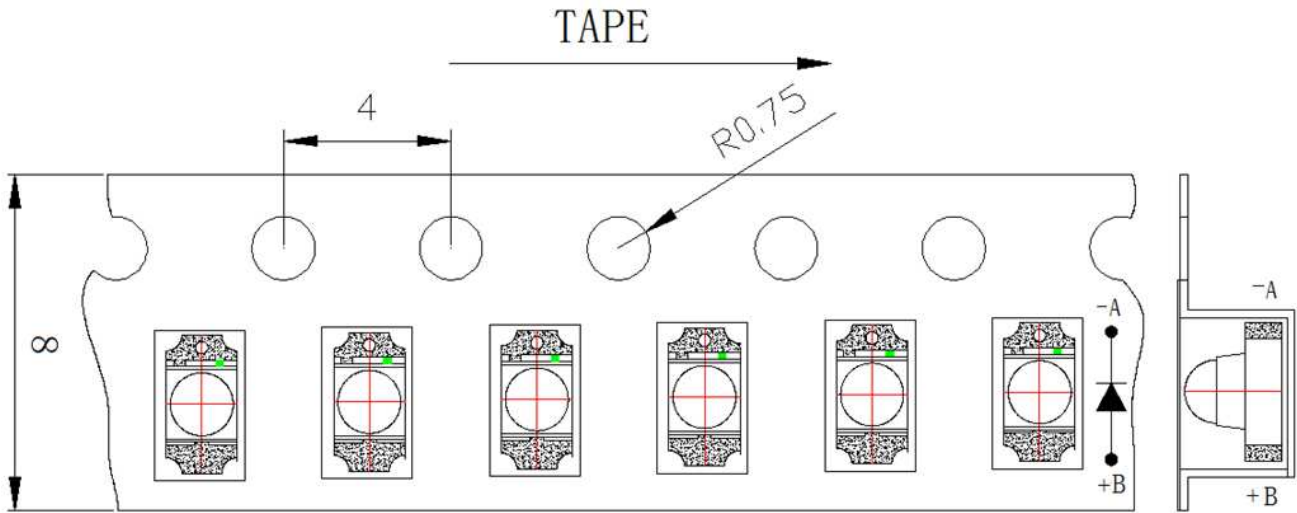


□□□□□□□□ □□□□□□□□ □□□□□□ □□□□□□□□□□□□ □□□□□□
(□□ □□ □□□□□□ □□□□□□ □□□□□□ □□□□ □□□ □□□□)

λ



Carrier Tape Specifications



Moisture Resistant Packaging

