

LG-IRM2A638KEF3

Infrared Receiver Module

DATA SHEET

SPEC.NO. : SZ19070801
DATE : 2017/07/08
REV. : A/0

Approved By:

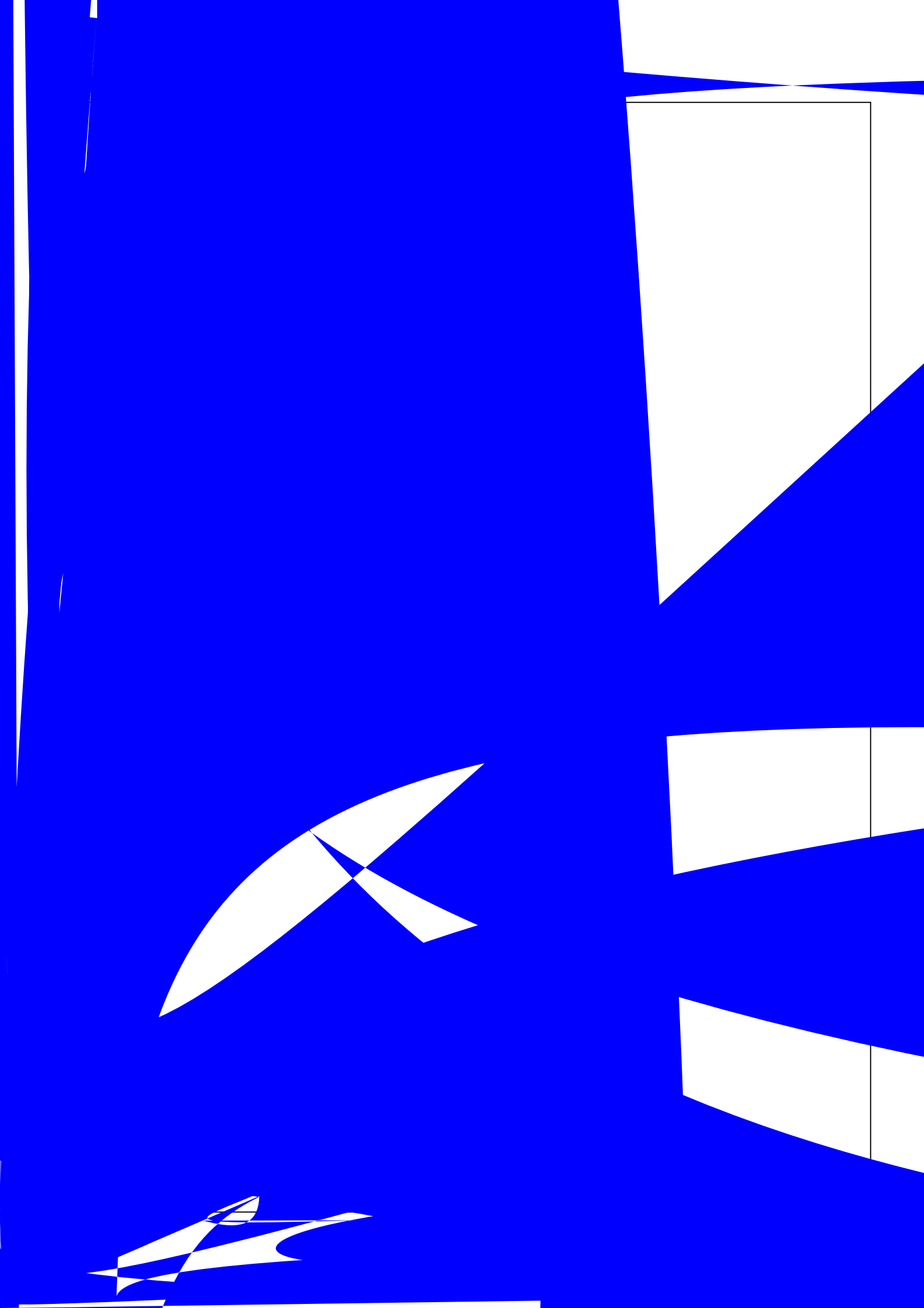
Checked By:

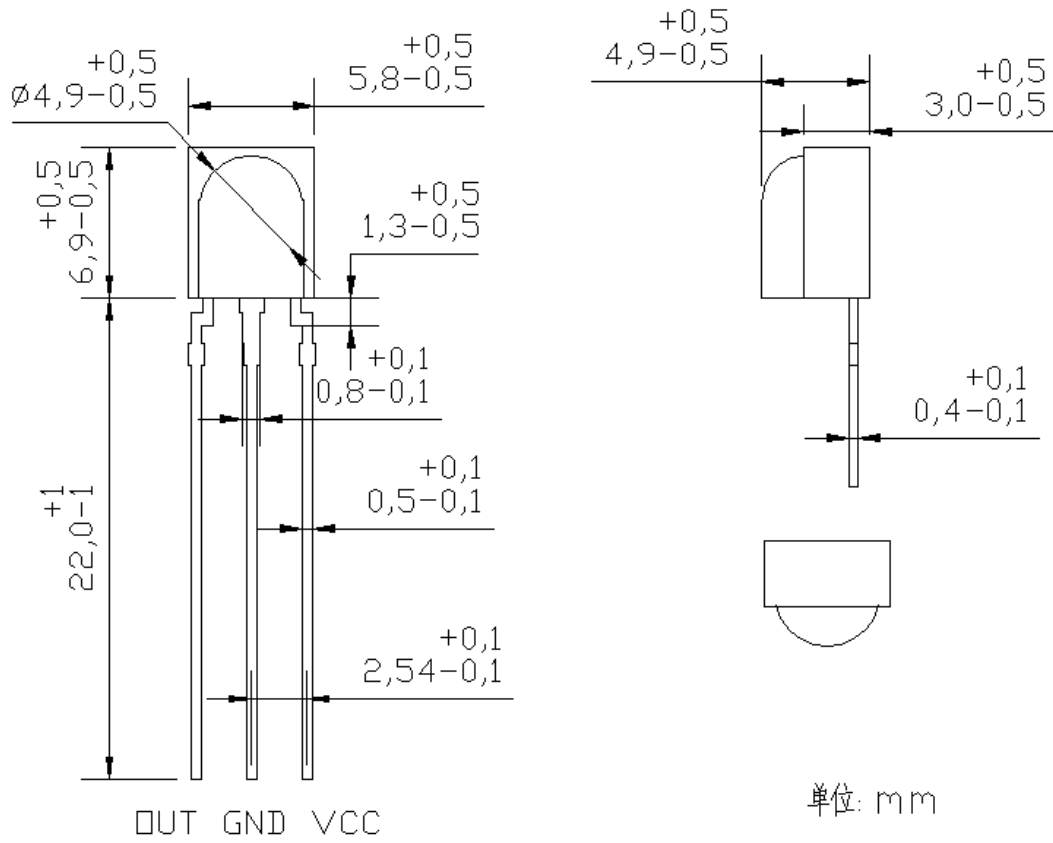
Prepared By:

LI**G**H**T**

LIGHT ELECTRONICS CO., LTD.







LIGHT

LIGHT ELECTRONICS CO., LTD.

