

SL-T3020PDB020-L285-E

PHOTO Diode



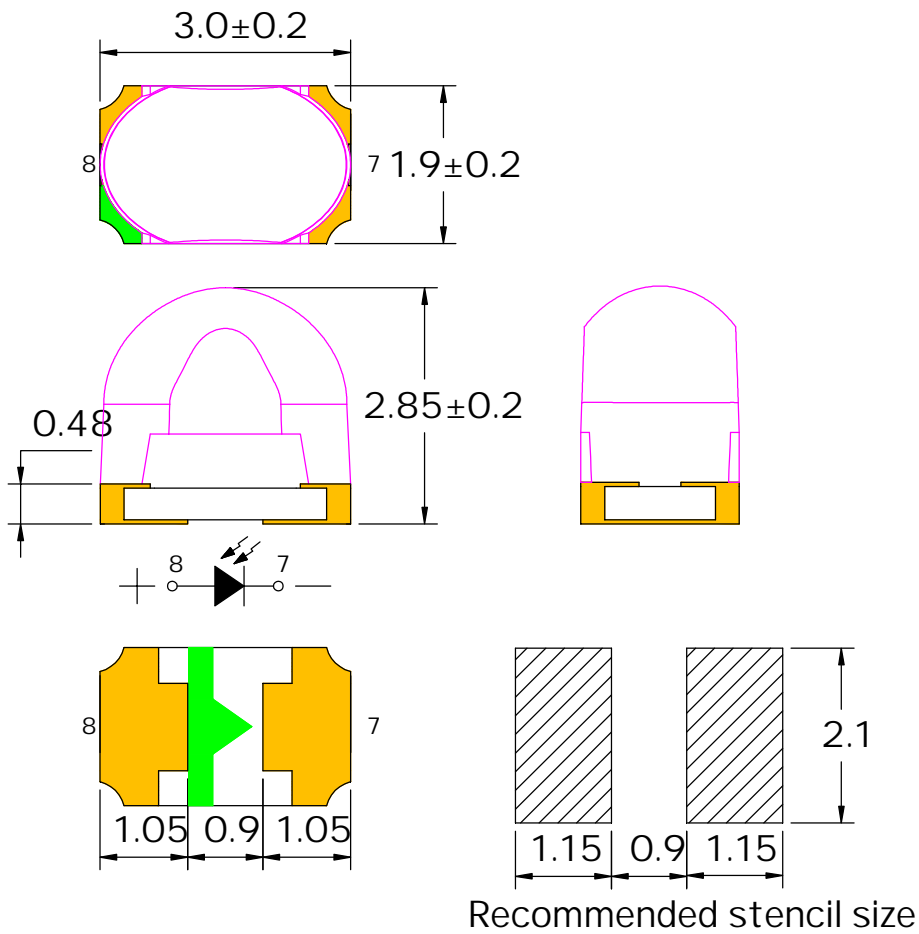
BO : 89120503 _____
D : 2021/01/14 _____
R : A4 _____



Features

- i ~~RoHS~~
- i ~~RoHS~~
- i ~~RoHS~~
- i ~~RoHS~~
- i ~~RoHS~~ 90°

Package Dimension



RoHS	RoHS	RoHS	
SL-T3020PDB020-L285-E	6	8	

Notes:

1. ~~RoHS~~
2. ~~RoHS~~ 10rtd
3. ~~RoHS~~

