

LIGHT

LG-05PD4

SPEC. NO. : SZ2  
DATE : 202  
REV. : A/4

Approved By: [Signature]

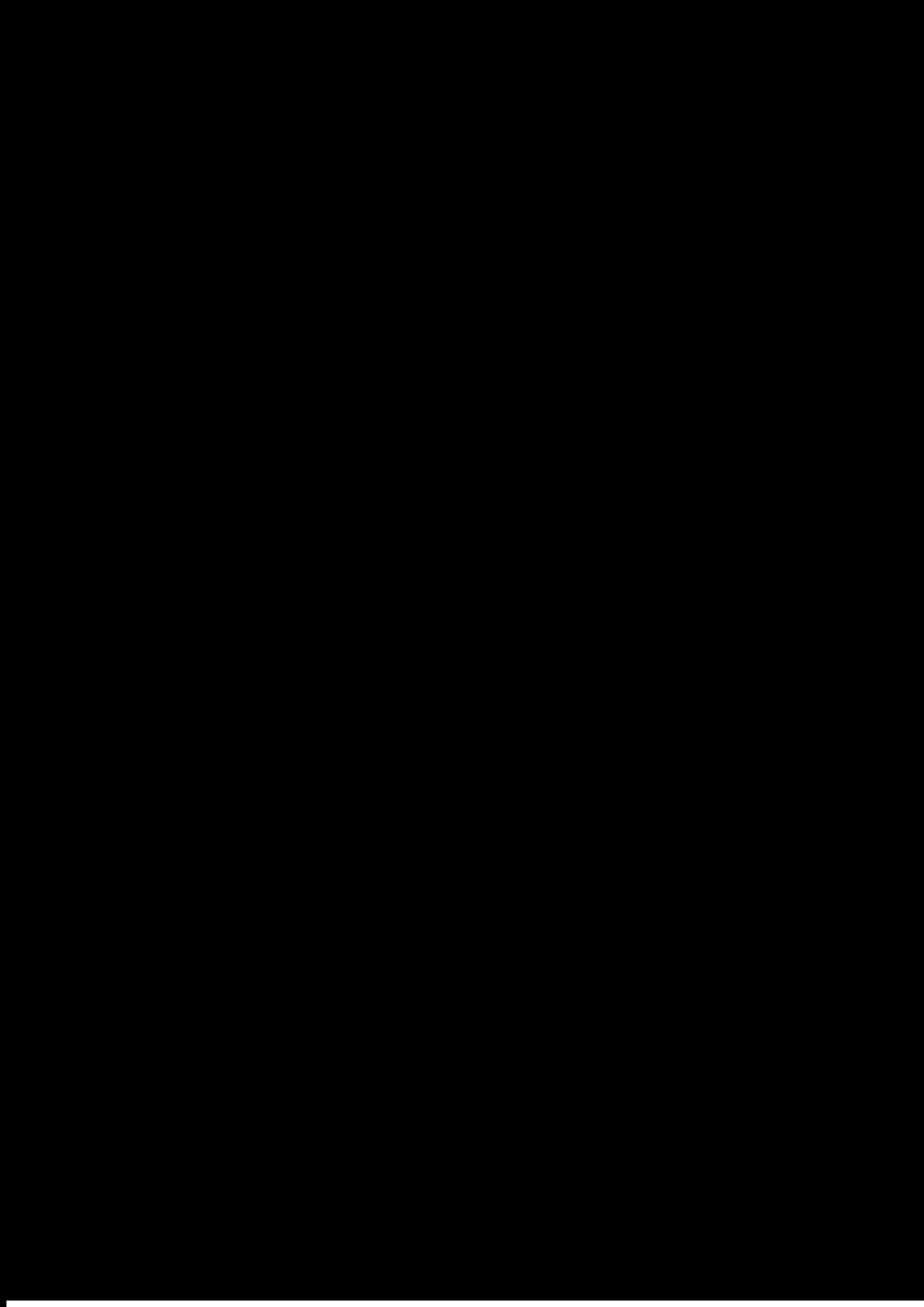
REV.	
A/0	
A/1	Change the
A/2	Pin and PCB surface
A/3	Pin and PCB surface
A/4	In order to improve product at the client, modified from technical

Part No. LG-05PD4

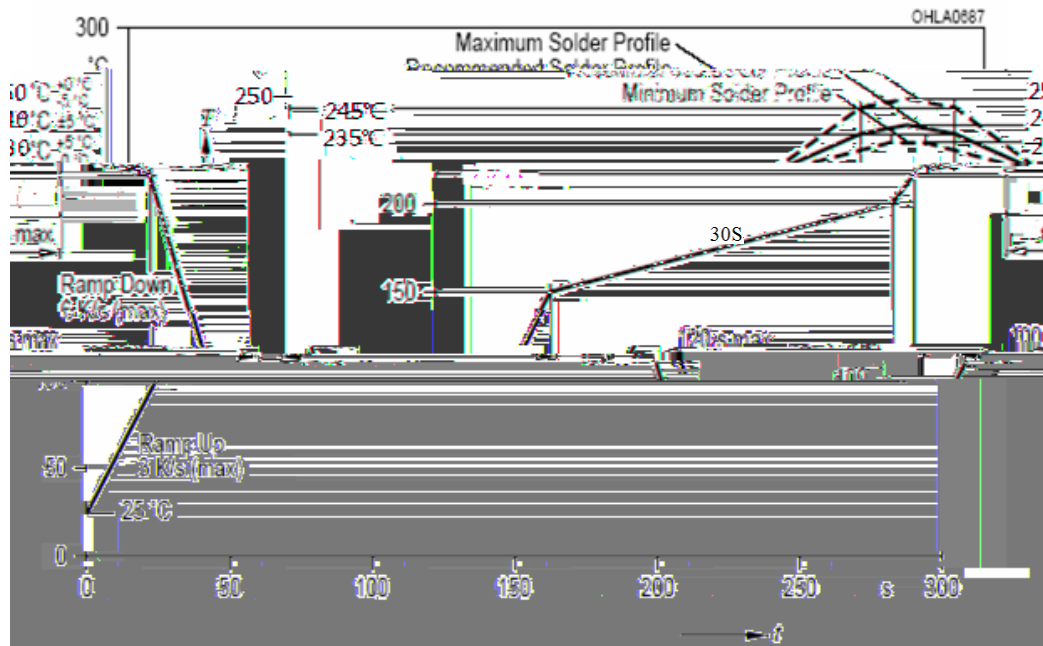
D94







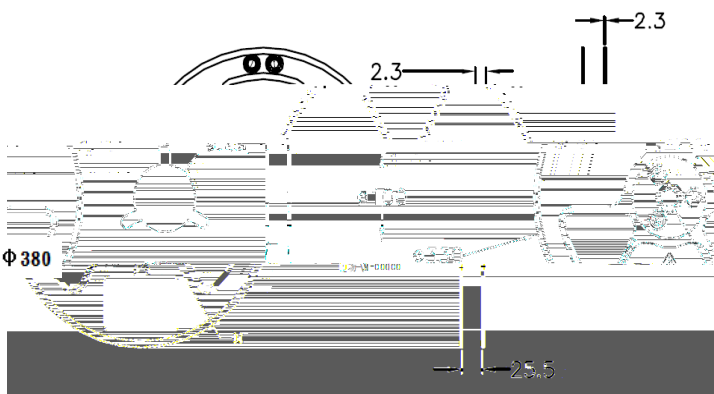
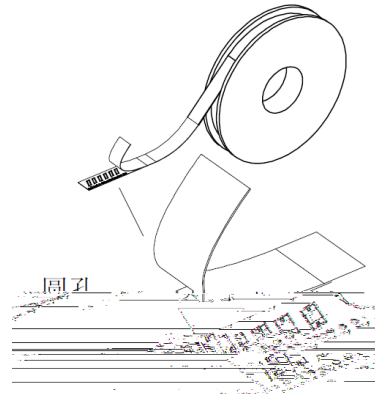
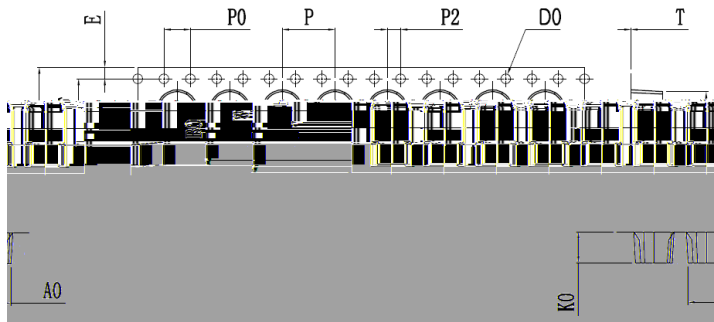
**Suggest IR Reflow Condition For Lead Free:**



保

## Package

### Package Dimensions



Item	Specification	
	Minum	Maximum
W	15.97	16.3
P	7.9	8.1
E	1.65	1.85
F	7.4	7.6
D	1.5	1.6
P0	3.9	4.1
P0x10	39.8	40.2
P2	1.9	2.1
A0	5.2	5.4
B0	10.6	10.8
K0	4.8	5.0

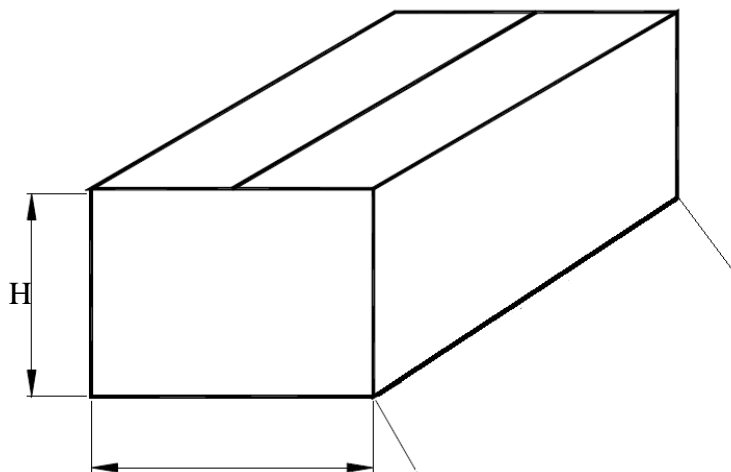
### Notes:

1. All dimensions in millimeters.
2. All dimensions meet EIA-481-C requirements.
3. Cover tape by a heat sealing manner.

## Package Spec:

**1.1500pcs per reel .**

**15 reel per carton/Total 22500pcs per carton.**



Item	Specification	
	minnum	Maximum
L	465	475
W	405	415
H	405	415