



**LIGHT**

**LIGHT ELECTRONICS CO., LTD.**

---

### Electro-Optical Characteristics

◇ 18



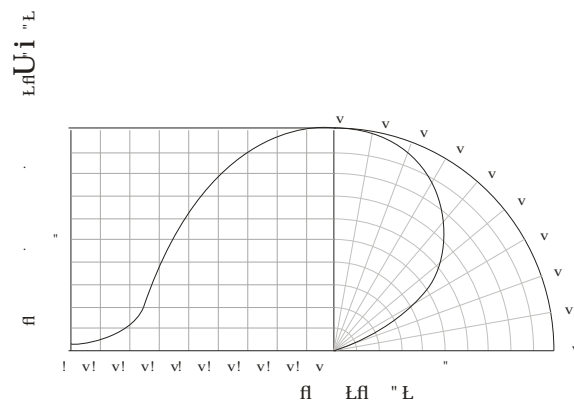
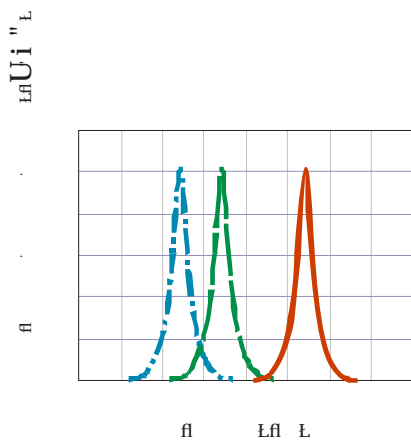
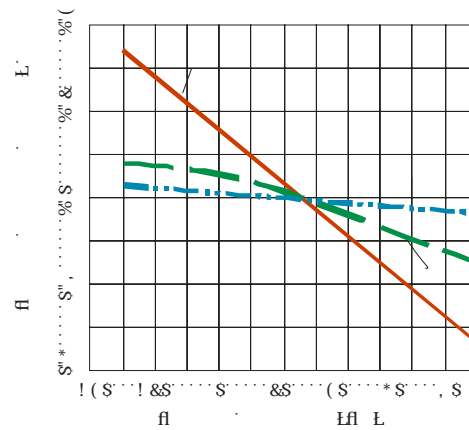
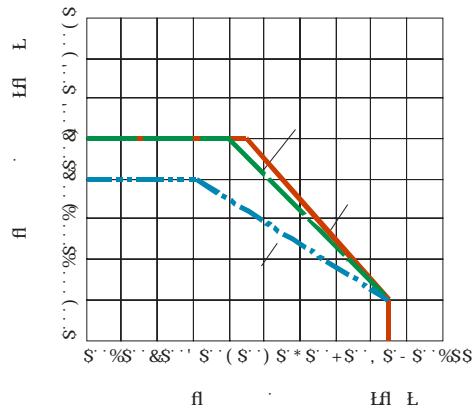
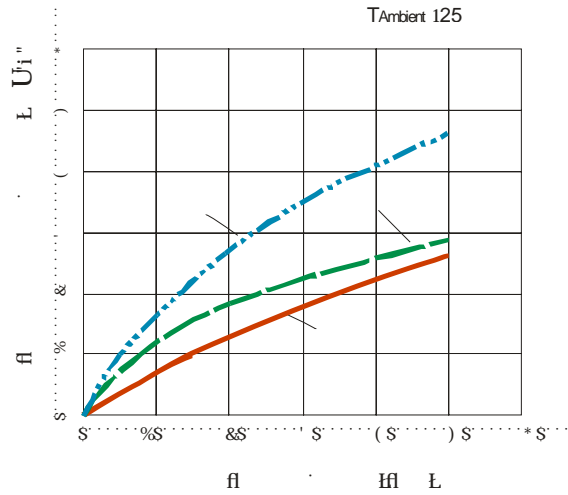
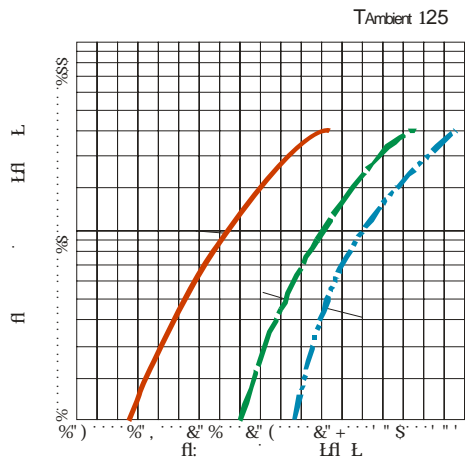
◇ 18  
Electro-Optical Characteristics (Temperature=25°C)

							μ
	$\lambda$						
	$\Delta\lambda$						
	$\theta$						

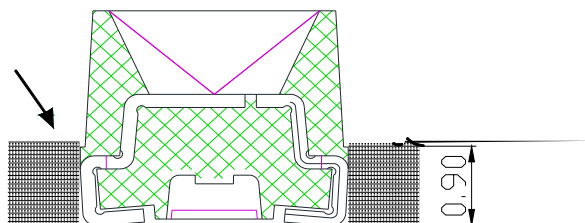
以上 厂商

manufacturer

## Typical Characteristics Curves







LIGHT

**LIGHT ELECTRONICS CO., LTD.**

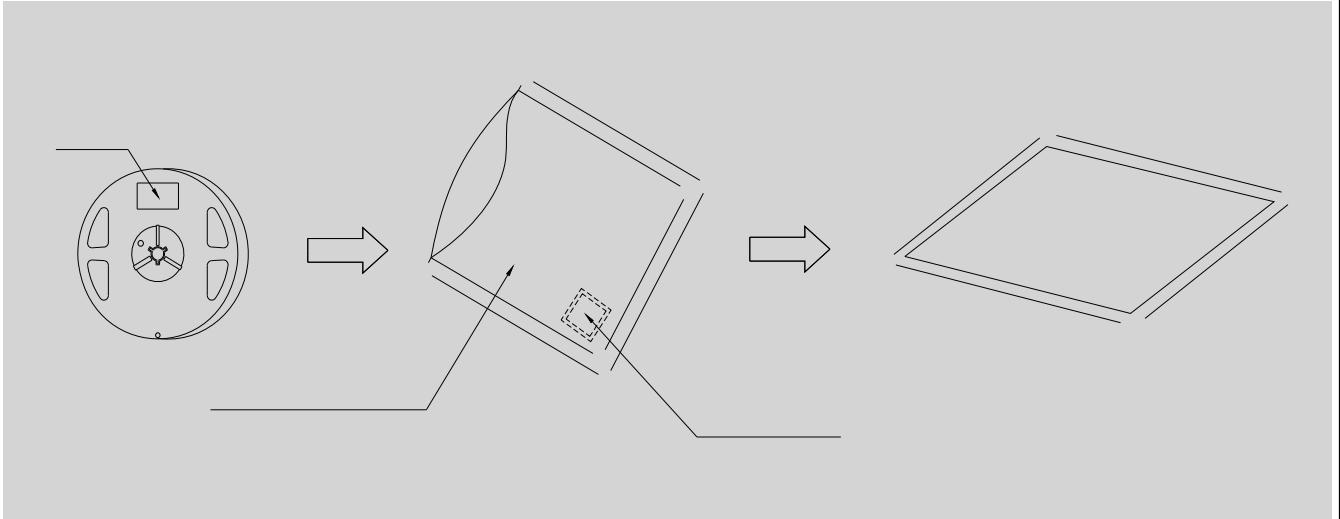
---

2

## Packaging( 2)



· Moisture Proof and Anti-Electrostatic Foil Bag



· Cardboard Box



· Label Explanation



L

**LIGHT ELECTRONICS CO., LTD.**

---



## 2

### Guideline for Soldering (2)

x

x

x

x

x

x

### 3.

#### Cleaning

x

x

D76

h BchY. H] g[ YbYFU [i] XY ] bYaUmbchUdd` mhc`U` `D76`XYg] [bg`UbXWbZ] [i fUh] cbg`cZU` `gc`Xf] b[ `Yei ] daYbh" H`YhYWb] ei Y ] b`dfUM] W` ] g` ] bZ` i YbWX`VmaUbmZUMcf gZ` ] h`g`ci` `X`Y`gdYU ] nYX`VgY`cb`h`Y`D76`XYg] [bg`UbXWbZ] [i fUh] cbg` cZ` h`Y`gc`Xf] b[ `Yei ] daYbh" `



## (1)

### Precautions (1)

1.

#### Storage

•

•

•

•

•

y

y

y

2.

#### Static Electricity

•

•

•

(2)

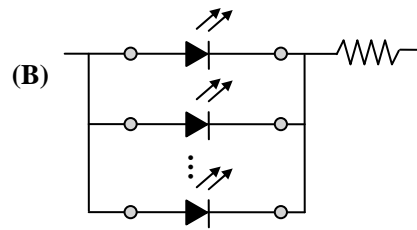
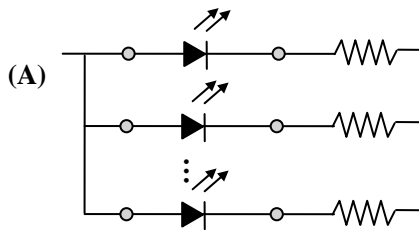
### Precautions (2)

3.

#### Design Consideration

•

•



•

4.

#### Reverse voltage protection

•

•

## (3)

### Precautions (3)

5.

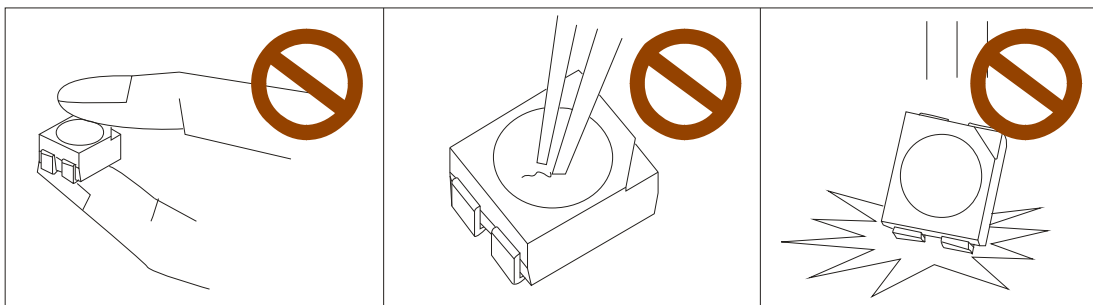
The safe temperature for LEDs working

- 

6.

Others

- 



-