

SL-T4234IRC150-L340-2PIN

DATA SHEET

SPEC. NO. : SZ19121601
DATE : 2019/12/28
REV. : A/1

Approved By:

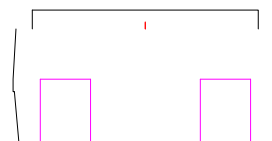
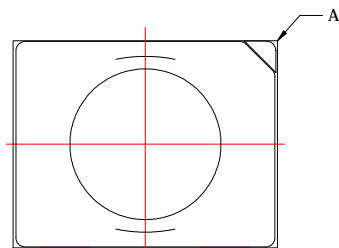
Checked By:

Prepared By:

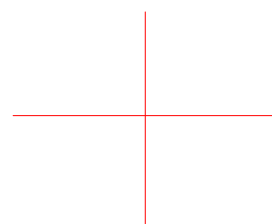
Features

- Pb free product—RoHS compliant
- Low power consumption, High efficiency
- Reliable and rugged
- Long life – solid state reliability
- Radiant angle: 20°

Package Dimension



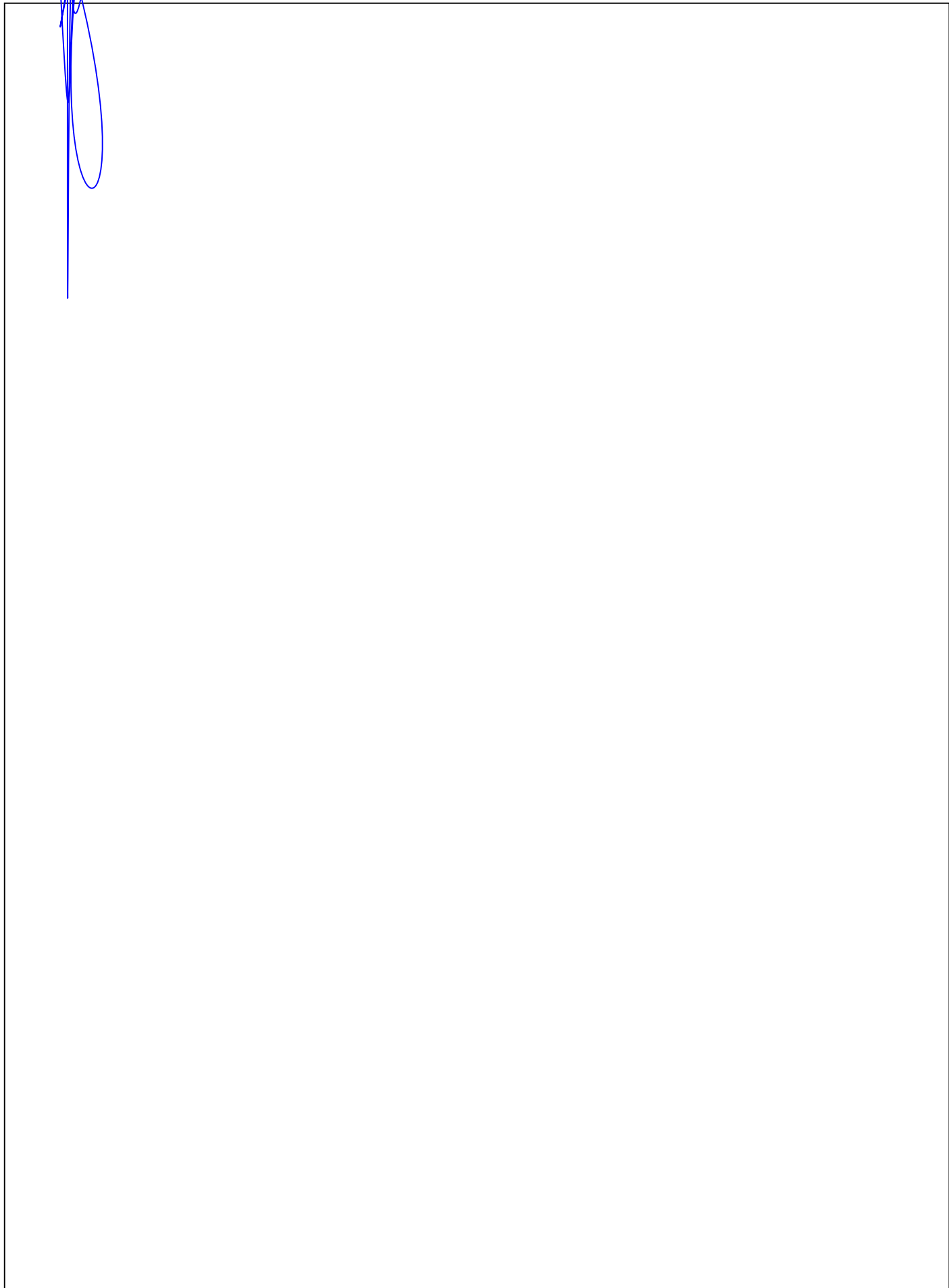
Note:
A: Nick Mark



Part NO.	Chip Material	Lens Color
SL-T4234IRC150-L340-2PIN	AlGaAs/Si	Water Clear

Notes:

1. All dimensions are in millimeters.
2. Tolerance is $\pm 0.10\text{mm}$ unless otherwise noted
3. Specifications are subject to change without notice.





LG -Q R- R009-01

Typical Electrical / Optical Characteristics Curves

(25 Ambient Temperature Unless Otherwise Noted)

Fig. 1 Spectral Radiance vs. Ambient Temperature

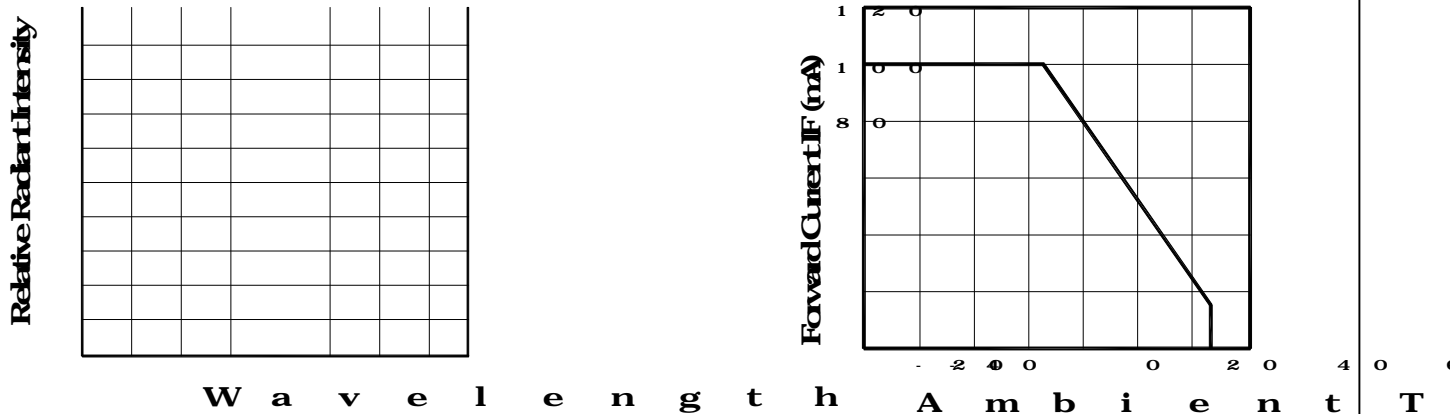


Fig. 3 Forward Voltage vs. Ambient Temperature

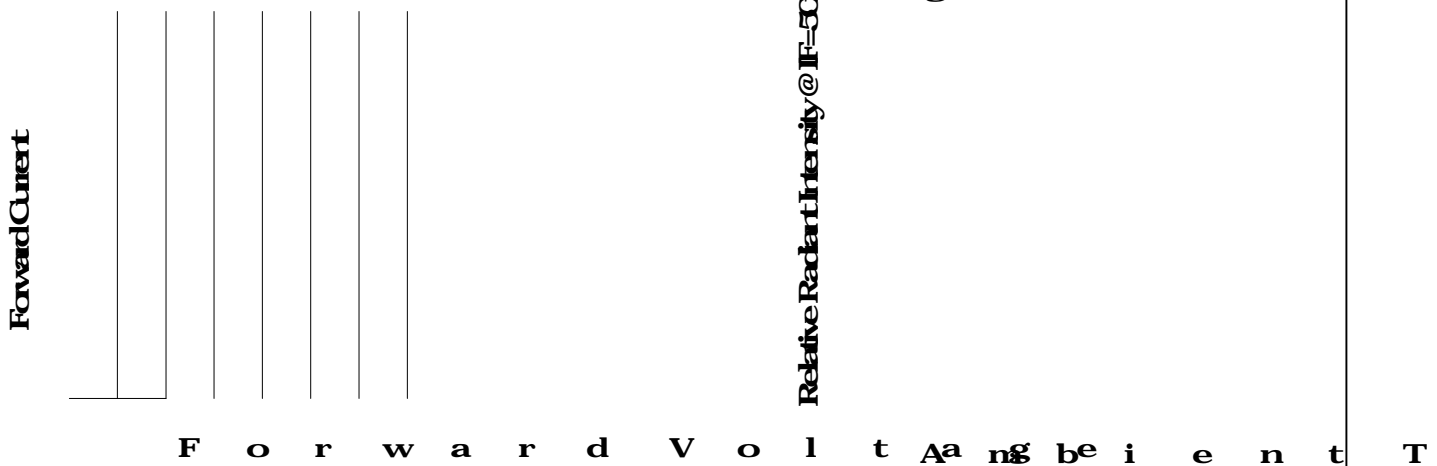
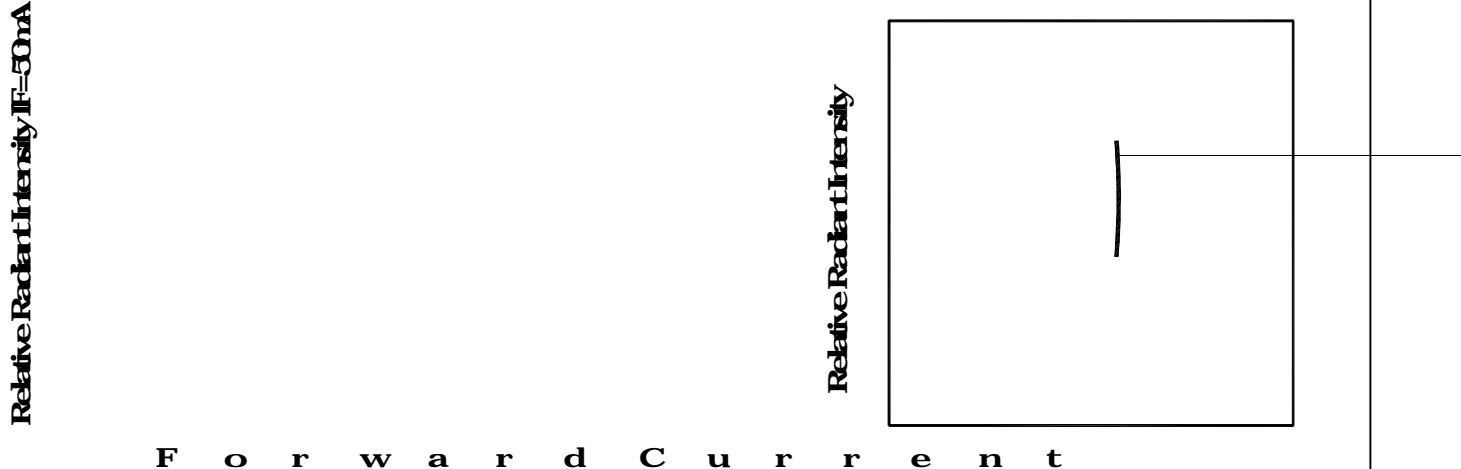


Fig. 5 Relative Radiant Intensity vs. Forward Current



Label Explanation

LIGHT Universal Label

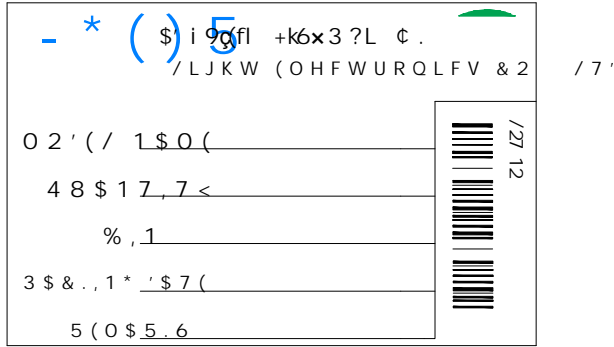


Diagram illustrating the LIGHT Universal Label layout. The label contains the following fields and elements:

- Top line: - * (\$) i 99fl +k6x3 ?L ¢ .
- Second line: /LJKW (OHFWURQLFV & 2 / 7'
- Third line: 0 2 ' (/ 1 \$. 0 (
- Fourth line: 4 8 \$ 1 7 , 7 <
- Fifth line: % , 1
- Sixth line: 3 \$ & . , 1 * ' \$ 7 (
- Seventh line: 5 (0 \$ 5 . 6
- Barcode on the right side with the number 12112 below it.

Customer Defined Label

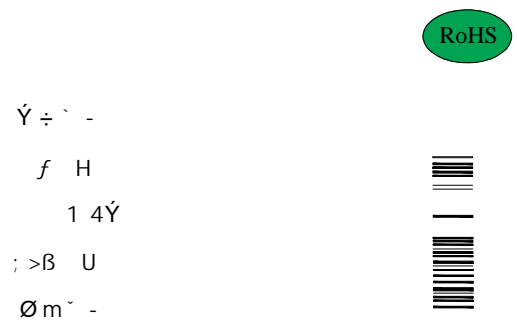
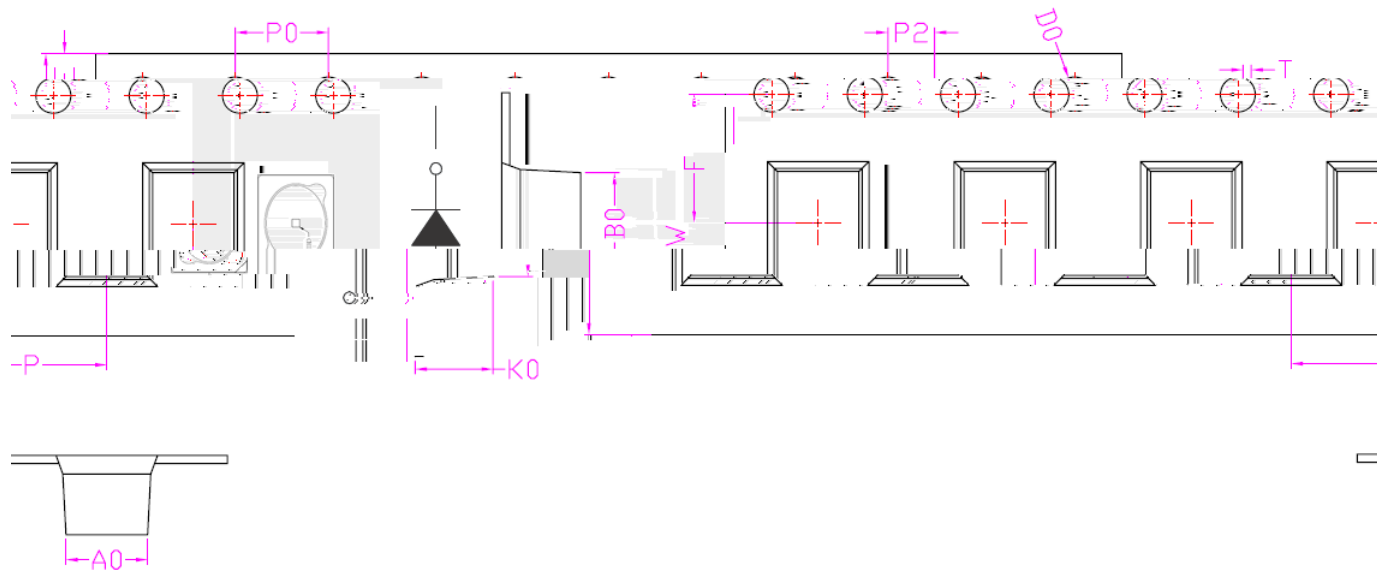


Diagram illustrating the Customer Defined Label layout. The label contains the following elements:

- RoHS logo (green oval with white text).
- Barcode on the right side.

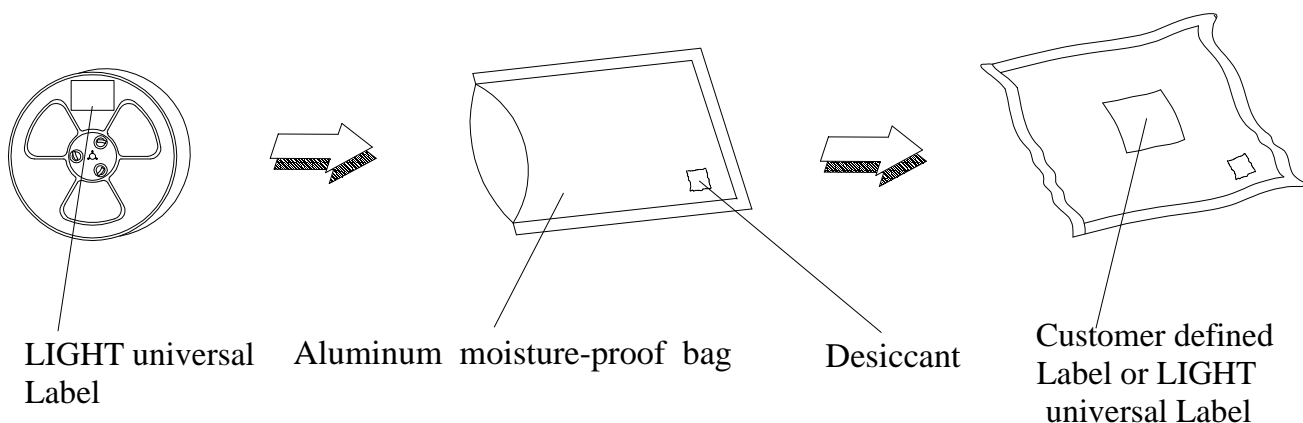
Carrier Tape Specifications (Loaded Quantity: 2200pcs/reel)

ITEM	W	A0	B0	K0	E	F	D0	P	P0	P2	T
DIM	12.00	3.50	4.40	3.40	1.75	5.50	1.50	8.00	4.00	2.00	0.35
TOLE	+0.30 -0.30	+0.10 -0.10	+0.10 -0.10	+0.10 -0.10	+0.10 -0.10	+0.10 -0.10	+0.15 -0.15	+0.10 -0.10	+0.10 -0.10	+0.10 -0.10	+0.05 -0.05

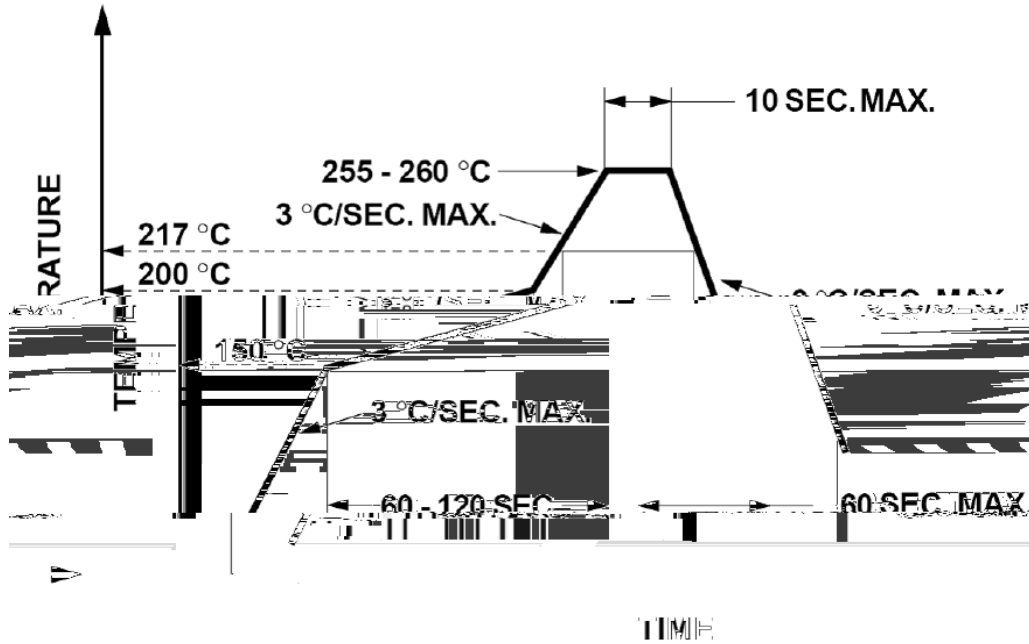


Note: Tolerance unless mentioned is ± 0.1 mm; Unit = mm

Moisture Resistant Packaging



Suggest IR Reflow Condition For Lead Free



1. Reflow soldering should not be done more than two times.
2. When soldering, do not put stress on the LEDs during heating.

Soldering iron

1. When hand soldering, the temperature of the iron must less than 300 for 3 seconds.