

# LT-GDM-02-F

## Ground-Detecting Module

### Product Specifications

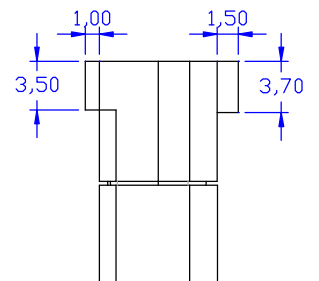
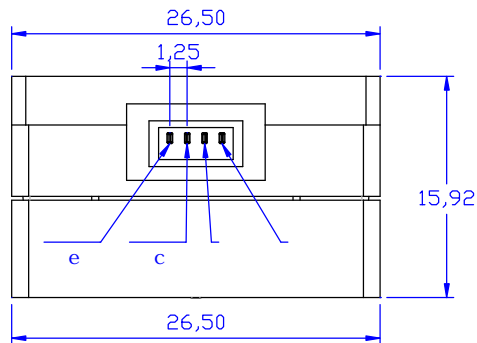
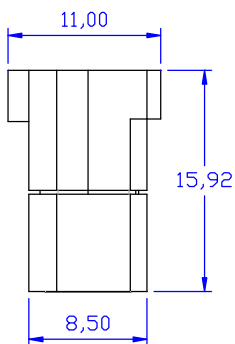
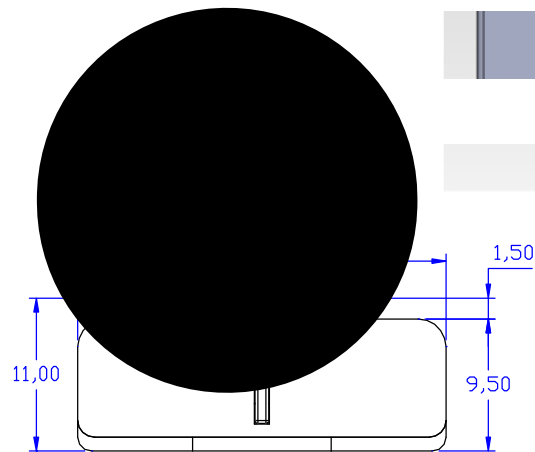
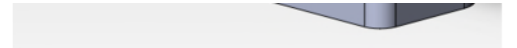
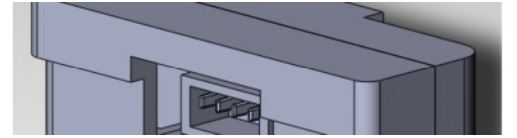
SPEC. NO. : SZ22082301  
DATE : 2022/08/23  
REV. : A/0

Approved By:

Checked By:

Prepared By:

## Dimensions of Module



**Notes:**

1. All dimensions are in millimeters.
2. Tolerance is  $\pm 0.50$ mm unless otherwise noted.
3. Specifications are subject to change without notice.



## Electrical Optical Characteristics at Ta=25

Input						
Parameter	Symbol	Min.	Typ.	Max.	Unit	Test Condition
Peak Wavelength	$\lambda_p$	---	940	---	nm	$I_F=50mA$
Forward Voltage	$V_F$	---	1.35	1.60	V	$I_F=50mA$
Reverse Current	$I_R$	---	---	10	$\mu A$	$V_R=5V$

Output						
Parameter	Symbol	Min.	Typ.	Max.	Unit	Test Condition
Collector-Emitter Breakdown Voltage	$BV_{CEO}$	30	---	---	V	$I_C=0.1mA$ $E_e=0mW/cm^2$
Emitter-Collector Breakdown Voltage	$BV_{ECO}$	5	---	---	V	$I_E=0.1mA$ $E_e=0mW/cm^2$
Collector-Emitter Saturation Voltage	$V_{CE(SAT)}$	---	---	0.4	V	$I_C=2mA$ $E_e=1.0mW/cm^2$
Rise Time	$T_r$	---	15	---	$\mu s$	$V_{CC}=5V$ $R_L=1K$ $I_C=1mA$
Fall Time	$T_f$	---	15	---	$\mu s$	
Collector Dark Current	$I_{CEO}$	---	---	100	nA	$V_{CE}=10V$ $E_e=0mW/cm^2$
On State Collector Current	$I_{C(ON)}$	1.0	5.0	---	mA	$V_{CE}=5V$ $I_F=20mA$