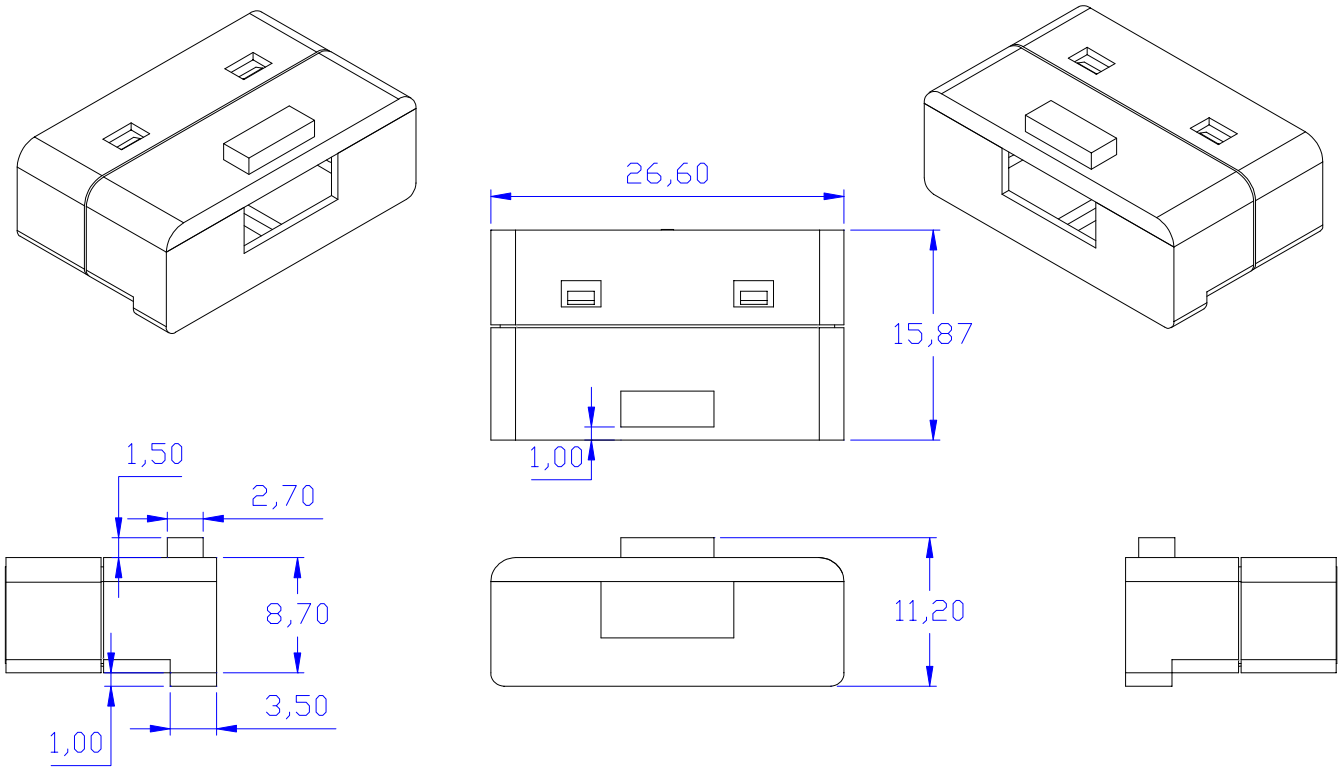
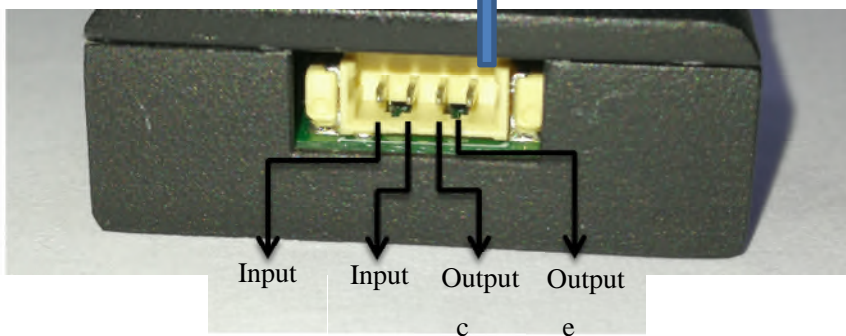


Dimensions of Module



1.25mm 4P



Notes:

- 1. All dimensions are in millimeters.
- 2. Tolerance is $\pm 0.50\text{mm}$ unless otherwise noted.
- 3. Specifications are subject to change without notice.

